

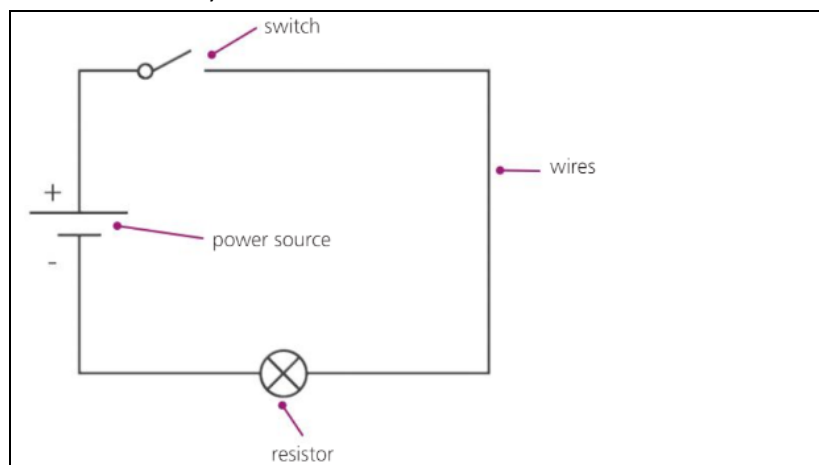
TAREA 16: Magnetism

- Tienen que corregirse el ejercicio de la tarea 15 con las soluciones que incluyo aquí.
- Después verán y resumirán por escrito este vídeo sobre el magnetismo:
<https://www.youtube.com/watch?v=yXCeuSiTOug>
- Leerán la página 118 del libro de Natural Science.
- Harán los ejercicios 1 y 2 de la página 119.
- Opcional: probar experimentos con imanes. Hay muchos en internet, os dejo un vídeo de ejemplo: <https://www.youtube.com/watch?v=Bux3zA-5RvU>

Corrección ejercicio (de la tarea 15):

1. Answer these questions:

- a. What happens in a circuit if electricity doesn't have a path to travel on?
That electricity stops (it can't travel through the circuit).
- b. Tell me an example of a power source.
An example of a power source can be a battery.
- c. What is "to break a circuit"?
We open it, we leave a space so that electricity can't travel through the circuit.
- d. Tell me three objects that have electrical circuits inside.
Three examples of objects are: torch, a calculator and a mobile phone.
- e. Copy the picture on page 117 that represents the electrical circuit, write the parts on it and copy the four definitions that appear next to the picture (power source, wires, switch and resistor).



- a **power source** (for example, a battery): it provides energy
- **wires**: they conduct electricity
- a **switch**: it opens and closes the circuit
- a **resistor** (for example, a light bulb): it changes electricity to different forms of energy.